

iNano UPS



Specifications

Model	iNano 9/12	iNano 9/15
Max capacity	12W	12W
Input		
Voltage	150V-265V AC	150V-265V AC
Current	<0.2A	<0.2A
Output		
Voltage	12V/9V DC	9V/15 DC
Current	1A	0.8A
Transfer Time	0ms	0ms
Backup Time	4 hours @5W load	4 hours @5W load
BATTERY		
Configuration	6V/4AH	6V/4AH
Typical Recharge Time	6-8 hours recover to 90%	6-8 hours recover to 90%
PHYSICAL		
Net Weight	1.1kg	1.1kg
Unit Dimension W*D*H	127*79*93mm	127*79*93mm

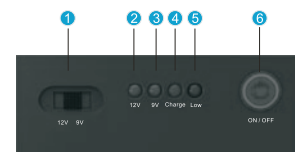
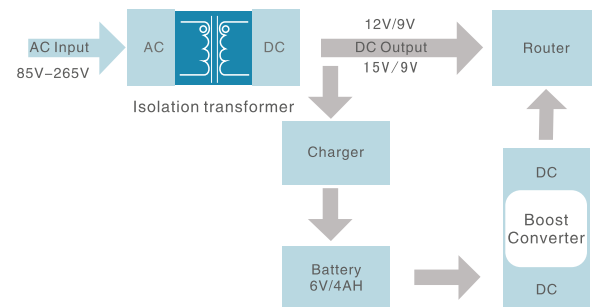
Features

- 12V/9V & 15V/9V output switchable
- Cold start
- Over discharge protection
- Auto restart while AC is recovering
- Battery low, overload alarm
- Short circuit protection
- Backup mode light load auto-shutdown (optional)

Application area

- Routers, Modems, Remote monitoring systems, Warning systems, and other DC devices

Schematic design



Control Panel

1. Voltage Output Selector
2. 12V/15V Output LED
3. 9V Output LED
4. Charger LED
5. Battery Low LED
6. Power On/Off

Our DC UPS is designed as a backup power for your devices such as routers, modems and many other DC devices. It is an ideal product for where the AC power is not stable or reliable. The DC UPS will provide hours backup time and get charged when AC supply recover.

FAQ

Q: Why the DC UPS could not use my adapter which I bought with my router?

A: The adapter bought with router is properly designed for router only. It may not provide sufficient power to fullfill the battery when the router is working, but our adapter inside the DC UPS can charge and max power output at the same time.

Q: Can this DC UPS provide backup time for my DC device?

A: Yes, but two conditions.

- 1, The input voltage of your device should be 9V 12V or 15V
- 2, The input current of your device should not exceed 1A or 0.8A.